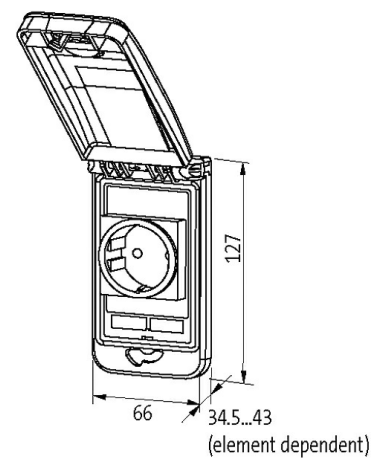


**Modlink MSDD-set: Frame 4000-68513-0000001,**

insert 4000-68000-3250000

### Illustration



Product may differ from Image

### Frame

suitable for mounting with wall thickness	1...5 mm
Protection	IP65

Housing	Frame: plastic PA black, cap: plastic ABS metallic
---------	--

Temperature range	-30...+70 °C (storage temperature -30...+80 °C)
-------------------	---

**China (CCC)**

Operating voltage	250 V AC
-------------------	----------

Operating current	10 A
-------------------	------

No. of poles	2 + PE
--------------	--------

Connection	Screw terminals: max. 2× 4 mm <sup>2</sup> (single/stranded wire)
------------	---

**Commercial data**

country of origin	DE
-------------------	----

customs tariff number	85366990
-----------------------	----------

EAN	4048879572200
-----	---------------

eClass	27189217
--------	----------

Packaging unit	1
----------------	---